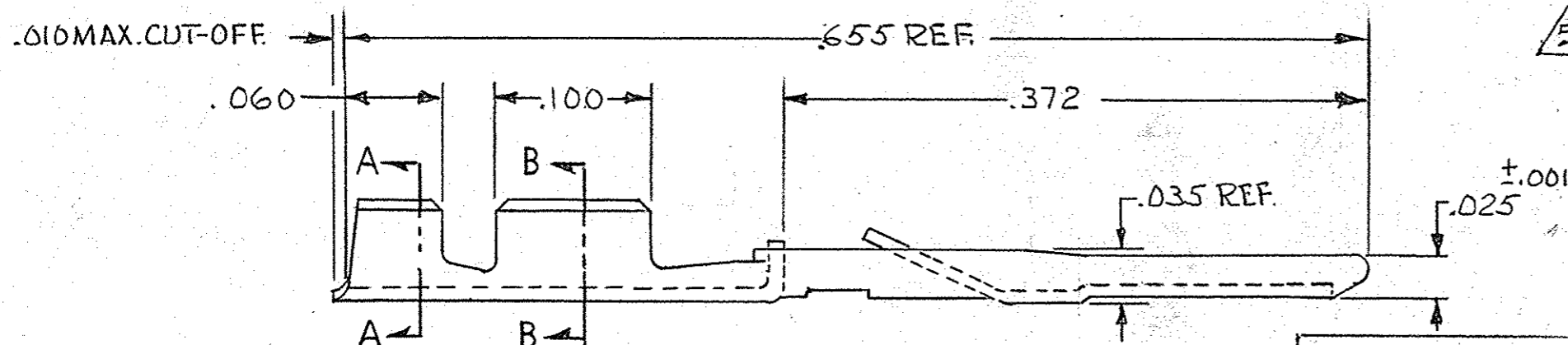
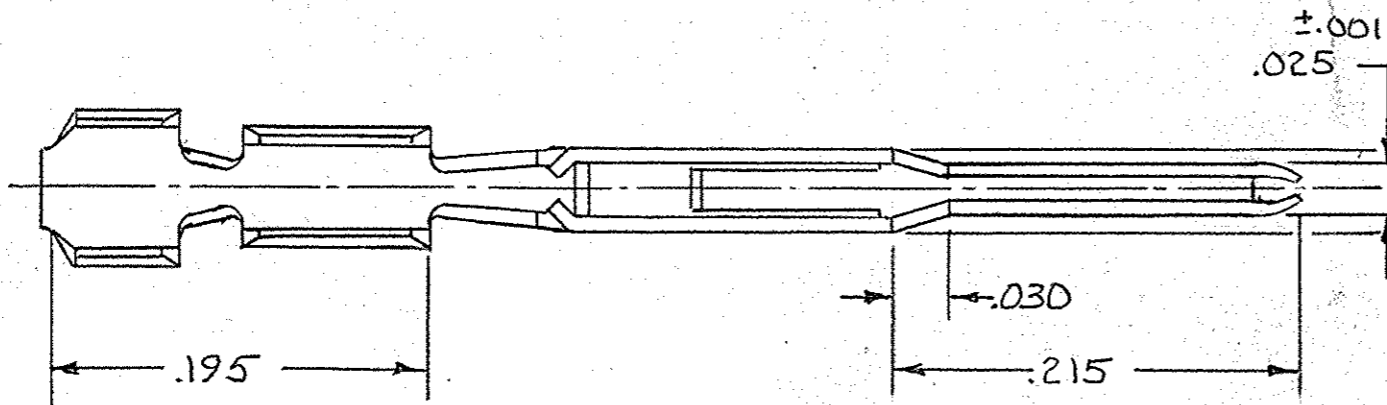


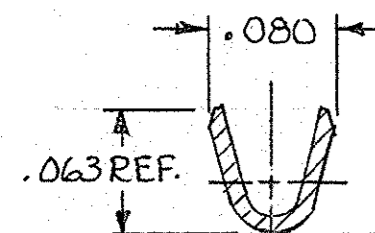
© COPYRIGHT 1975 BY AMP INCORPORATED, HARRISBURG, PA. ALL INTERNATIONAL RIGHTS RESERVED. AMP INCORPORATED PRODUCTS COVERED BY U. S. AND FOREIGN PATENTS AND/OR PATENTS PENDING.

Unpublished copy not to be reproduced without written permission of AMP Inc.

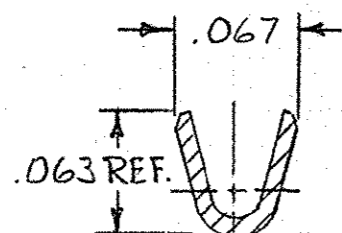
		REVISIONS				
P	F	ZONE	LTR	DESCRIPTION	DATE	APPROVED
	✓		0	RELEASED 5087-963	DR 4-76	
	✓		01	REVISED 5486	RS 4-78	M.S. 1-79
02	✓		02	REVISED 6924	M.S. 10-80	R-10
✓	✓		A	REV 0600-2369-94 TA	1-95	JAM
			B	ADD-6 PER 1063D-0092-02 CT	3-02	DN
			C	REV PER PH14-0249-05	9/05	AA/DJ



- ① .000030 GOLD OVER .000050 NICKEL
- ② .000050 GOLD OVER .000050 NICKEL
- 3 USE IN BOX HOUSING ASS'Y NO 530752
- ④ .000100 MIN THK 93/7 TIN LEAD OVER .000050 MIN THK NICKEL.
- ⑤ .000100 MIN THK TIN PER ASTM-B-545 OVER .000050 MIN THK NICKEL.



INSUL RANGE  
.036 - .054  
SECT. A-A



WIRE RANGE  
22-26  
SECT. B-B

NONE	STRIP	⑤	5-530750-6
NONE	STRIP	④	530750-6
M55302/113-05	LOOSE PIECE	②	530750-5
M55302/113-06	STRIP	②	530750-4
OBSOLETE	NONE	①	530750-3
OBSOLETE	NONE	①	530750-2
MILITARY P/N	DESCRIPTION	FINISH	PART NO

UNLESS OTHERWISE SPECIFIED DIMENSIONS ARE IN INCHES. TOLERANCES ON: DECIMALS ± .005 ANGLES

MATERIAL  
BRASS

FINISH  
SEE TABLE

CONTRACT NO

DR *Rumble 4-21-76*

CHK *R. Williams 4-21-76*

APPD *R. Williams 4-21-76*

APPD *R. Shuman 4-21-76*

DSGN APPD

OTHER APPD



NAME  
BOX CONNECTOR PIN CONTACT, CRIMP.

SIZE **B** CODE IDENT NO **00779** DRAWING NO **530750**

SCALE 10-1 SHEET 1 of 1